

SL-60A LED Lamp Series



Features

- No UV or IR light radiation
- No direct, no reflected glare or flicker of light
- E27/E26 screw mount cap
- 100 – 240 VAC power input
- Operation temperature: -20°C – +40°C
- Long lifetime: 40000 hours (L70)
- Optional Triac dimming function



Coding of Part Number:

SL-60A / C / P08 / OM / E30 / ND / 27 / UNI / EU / S / ZN
 1 2 3 4 5 6 7 8 9 10 11

1. Product Series

SL-60A: A60 / A19 Light Bulb Series

2. LED Type

C: Everlight HP C LED

3. Power Consumption

P08: 8W

4. Beam Angle

OM: Omni directional

5. Correlated Color Temperature

E30: ANSI C78 3000K

E50: ANSI C78 5000K

6. Dimming Control

ND: No Dimming

TD: Triac Dimming

7. Lamp Base

27: E27 Cap

26: E26 Cap

Product Dimensions

8. Input Voltage

LAC: 100 – 120VAC

(Optional for Triac dimmable products only)

HAC: 220 – 240VAC

(Optional for Triac dimmable products only)

UNI: Universal 100 – 240VAC

9. Package and Certification

EU: Graphic Package. CE certified

US: Graphic Package. UL listed

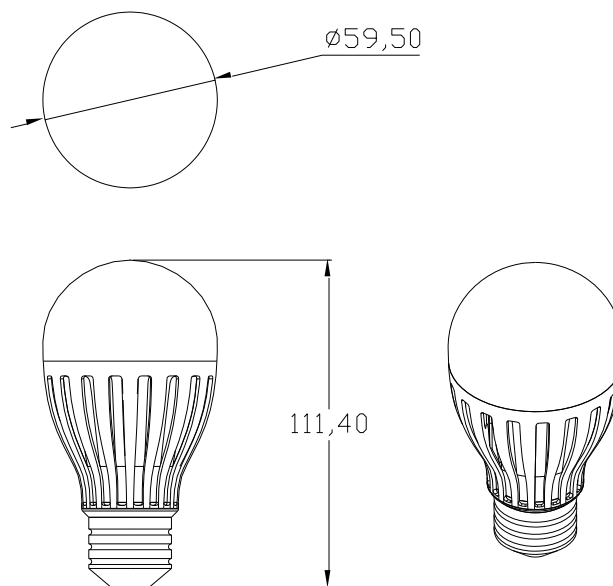
10. Product Color

S: Silver

G: Gold

11. Brand

ZN: Zenaro



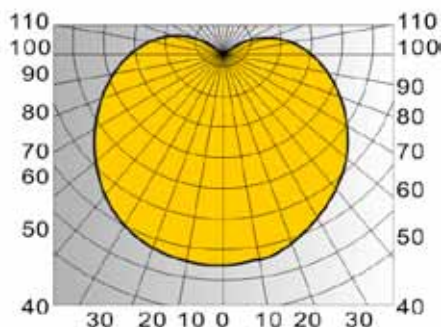
Notes: 1. Dimensions are in millimeters
2. Tolerances unless otherwise mentioned
±0.5mm

Luminance and Technical Data

Product Name	SL-60A/C/P08/OM/E30/ND/27/UNI/EU/S/ZN SL-60A/C/P08/OM/E30/ND/27/UNI/EU/G/ZN SL-60A/C/P08/OM/E30/ND/26/UNI/US/S/ZN SL-60A/C/P08/OM/E30/ND/26/UNI/US/G/ZN	SL-60A/C/P08/OM/E50/ND/27/UNI/EU/S/ZN SL-60A/C/P08/OM/E50/ND/27/UNI/EU/G/ZN SL-60A/C/P08/OM/E50/ND/26/UNI/US/S/ZN SL-60A/C/P08/OM/E50/ND/26/UNI/US/G/ZN
Product Family	Retrofit	Retrofit
Main Use	Office, commercial, residential and hospitality lighting	Office, commercial, residential and hospitality lighting
Input Voltage/ Frequency	100 – 240VAC / 50 – 60Hz	100 – 240VAC / 50 – 60Hz
Power Consumption	8W	8W
Dim ability	No	No
Mechanical Dimensions	∅59.5 x 111.4mm	∅59.5 x 111.4mm
Maximum Weight	180g	180g
Light Color	Warm white / 3000K	Daylight white / 5000K
Luminous Flux (Typ)	400lm	470lm
Beam Angle	Omni directional	Omni directional
CRI	> 80	> 80
Storage Temperature	-30°C – +80°C	-30°C – +80°C

Luminous Flux measurement tolerance ± 10%

Light Intensity Distribution

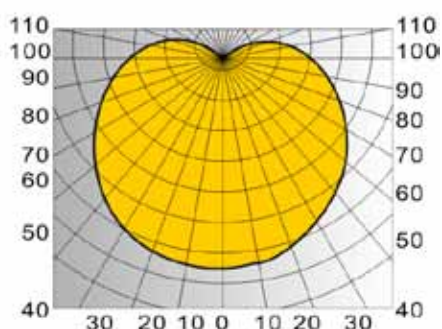


Luminance and Technical Data

Product Name	SL-60A/C/P08/OM/E30/TD/27/HAC/EU/S/ZN SL-60A/C/P08/OM/E30/TD/27/HAC/EU/G/ZN SL-60A/C/P08/OM/E30/TD/26/LAC/US/S/ZN SL-60A/C/P08/OM/E30/TD/26/LAC/US/G/ZN	SL-60A/C/P08/OM/E50/TD/27/HAC/EU/S/ZN SL-60A/C/P08/OM/E50/TD/27/HAC/EU/G/ZN SL-60A/C/P08/OM/E50/TD/26/LAC/US/S/ZN SL-60A/C/P08/OM/E50/TD/26/LAC/US/G/ZN
Product Family	Retrofit	Retrofit
Main Use	Office, commercial, residential and hospitality lighting	Office, commercial, residential and hospitality lighting
Input Voltage/ Frequency	LAC:100-120VAC / 50-60Hz HAC:220-240 VAC / 50-60Hz	LAC:100-120VAC / 50-60Hz HAC:220-240 VAC / 50-60Hz
Power Consumption	8W	8W
Dim ability	Yes	Yes
Mechanical Dimensions	∅59.5 x 111.4mm	∅59.5 x 111.4mm
Maximum Weight	180g	180g
Light Color	Warm white / 3000K	Daylight white / 5000K
Luminous Flux (Typ)	400lm	470lm
Beam Angle	Omni directional	Omni directional
CRI	> 80	> 80
Storage Temperature	-30°C – +80°C	-30°C – +80°C

Luminous Flux measurement tolerance ± 10%

Light Intensity Distribution



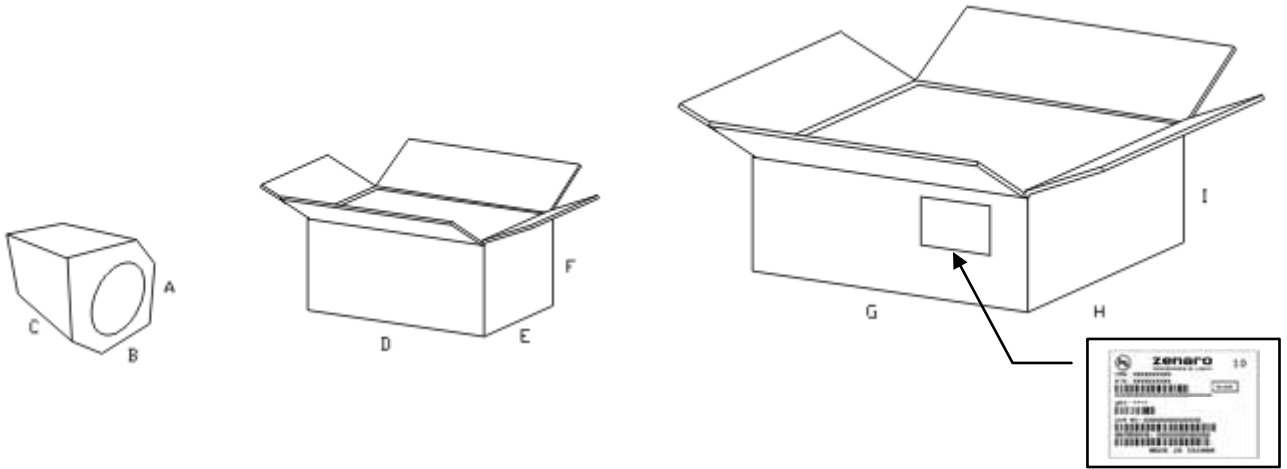
Installation Instruction and Warning

- Do not open - no user serviceable parts inside.
- Turn off power before inspection, installation, or removal.
- Do not use in totally enclosed fixtures.
- Not for use where exposed to the weather.
- Please refer to the suggested dimmers for dimmable models.
- Not intended for use with emergency exit fixtures or emergency lights.

Supported Dimmer List

Ctl. Type	Manufacturer	Model	Volt / Freq (V/Hz)
Leading	Jung	266GDE	230/50
Leading	Busch	2200-UJ	230/50
Leading	Clipsal	32E450L	230/50
Leading	Everflourish	EF700DA	230/50
Leading	Busch	2250U	230/50
Leading	OPUS	852.39	230/50
Trailing	Busch	6513U	230/50
Trailing	SIEMENS	5TC8-284	230/50
Trailing	Vadsbo	TD350	230/50
Trailing	Clipsal	32E450T	230/50
Leading	Lutron	S-600	120/60
Leading	Lutron	Q-600P	120/60
Leading	Lutron	AY-600P	120/60
Leading	Lutron	DV-600P	120/60
Leading	Lutron	LG-600PH	120/60
Leading	Lutron	TT-300NLH	120/60
Leading	Lutron	DNG-600PH	120/60
Leading	Lutron	S-600PEH	120/60
Leading	Lutron	GL-600P	120/60
Leading	Leviton	L00	120/60
Leading	Leviton	RTD-01-10	120/60

Package Information



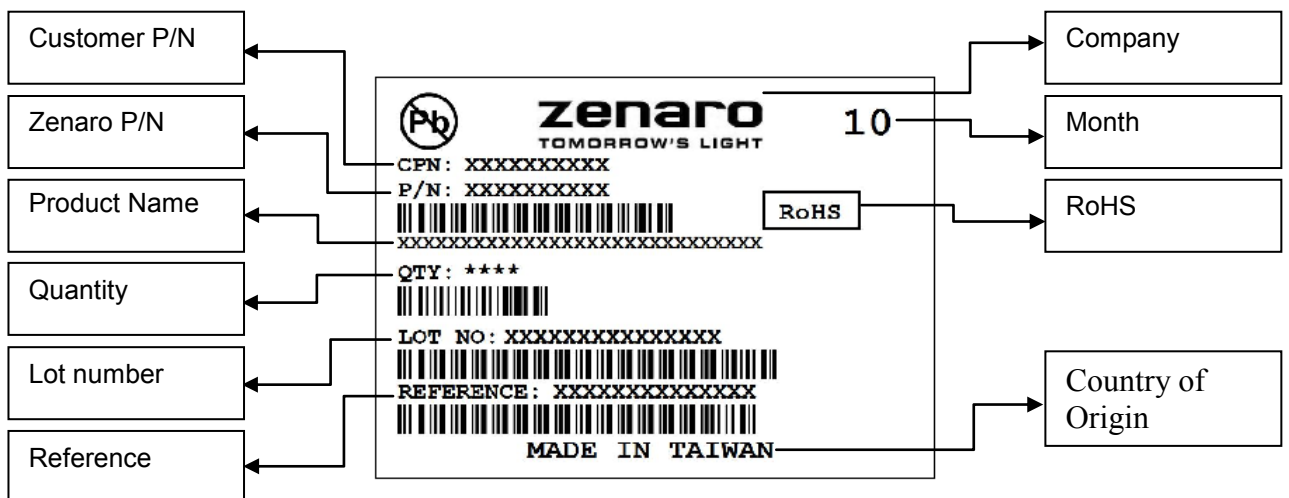
Package Dimension

Package	Unit: mm	Unit: kg
A	80	
B	80	0.241
C	137	
Inner Box	Unit: mm	Unit: kg
D	410	
E	167	2.71
F	145	
Outer Box	Unit: mm	Unit: kg
G	440	
H	370	6.12
I	185	

Packing Quantity

- 1 Luminaire / 1 Package
- 10 Packages / 1 Inner Box
- 2 Inner Box / 1 Outer Box

Label Explanation





DATASHEET

ZENARO RETROFIT

Disclaimer

1. Information on this datasheet is provided "AS IS", without any warranty of any kind, either express or implied, including, but not limited to, the implied warranties of merchantability, fitness for a particular purpose, or no infringement.
2. The specification and information in Zenaro product datasheet may be changed without further notice. Zenaro reserves the right to make changes to any products to improve reliability, function and design.
3. When using the product, please observe the absolute maximum ratings and the instructions for use as outlined in this datasheet. Zenaro assumes no responsibility for any damage resulting from use of the product which does not comply with the absolute maximum ratings and the instructions included in this datasheet.
4. These specification datasheets include the information protected under law and copyright of Zenaro. Reproduction in any form is prohibited without the specific consent of Zenaro.



MSC Vertriebs GmbH

Tel. +49 7249 910-4575 · Fax +49 7249 910-3411 · lighting-zenaro@msc-ge.com

www.msc-ge.com