

SL-10A LED Lamp Series



Features

- No UV or IR light radiation
- Provides a 30° beam angle
- GU10 bayonet cap
- 100 – 240 VAC power input
- Operation temperature: -20°C – 40°C
- Long lifetime: 25000 hours (L70)



Coding of Part Number:

SL-10A / C / P05 / 30 / E30 / EU / ZN
 1 2 3 4 5 6 7

1. Product Series

SL-10A: GU10 LED lamp

2. LED Type

C: Everlight HP C LED

3. Power Consumption

P05: 5W

4. Beam Angle

30: 30 Degree

5. Correlated Color Temperature

E30: ANSI C78 3000K

E50: ANSI C78 5000K

6. . Package and Certification

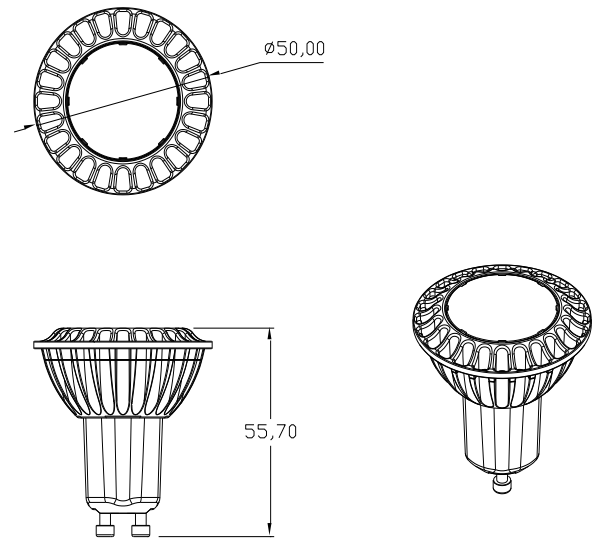
EU: Graphic Package. CE certified

US: Graphic Package. UL listed

7. Brand

ZN:Zenaro

Product Dimensions



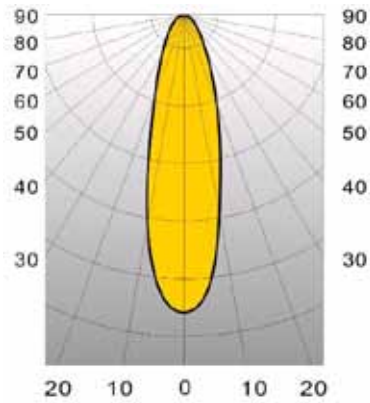
- Notes: 1. Dimensions are in millimeters
2. Tolerances unless otherwise mentioned
 $\pm 0.5\text{mm}$

Luminance and Technical Data

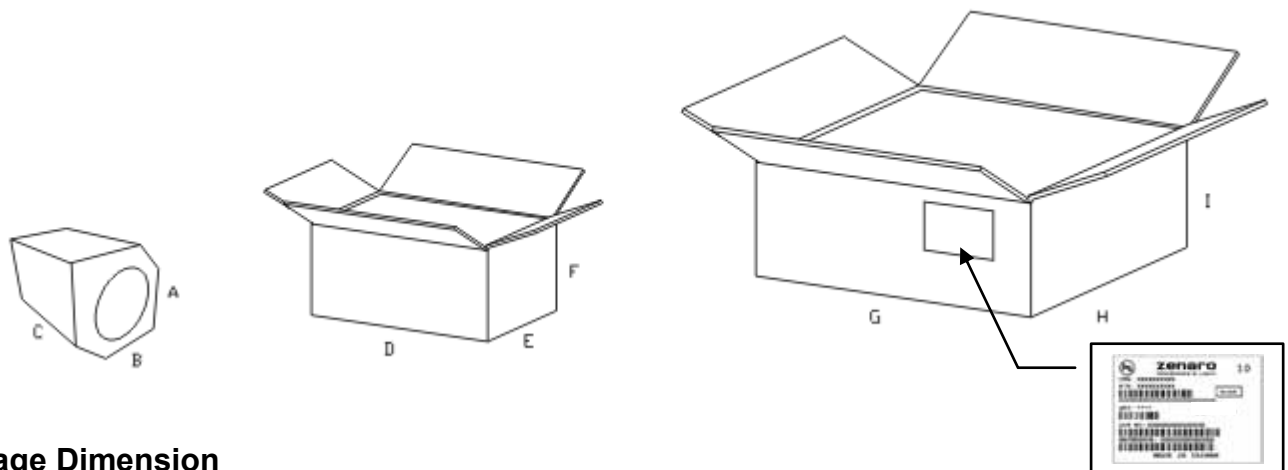
Product Name	SL-10A/C/P05/30/E30/EU/ZN SL-10A/C/P05/30/E30/US/ZN	SL-10A/C/P05/30/E50/EU/ZN SL-10A/C/P05/30/E50/US/ZN
Product Family	Retrofit	Retrofit
Main Use	Office, commercial, residential and hospitality lighting	Office, commercial, residential and hospitality lighting
Input Voltage/ Frequency	100 – 240VAC / 50-60Hz	100 – 240VAC / 50 – 60Hz
Power Consumption	5W	5W
Dim ability	No	No
Mechanical Dimensions	$\varnothing 50 \times 55.7 \text{ mm}$	$\varnothing 50 \times 55.7 \text{ mm}$
Maximum Weight	65g	65g
Light Color	Warm white / 3000K	Daylight white / 5000K
Luminous Flux (Typ)	180lm	200lm
CBCP (cd)	420cd	425cd
Beam Angle	30°	30°
CRI	> 80	> 80
Storage Temperature	$-30^\circ\text{C} - +80^\circ\text{C}$	$-30^\circ\text{C} - +80^\circ\text{C}$

Luminous Flux measurement tolerance $\pm 10\%$

Light Intensity Distribution



Package Information



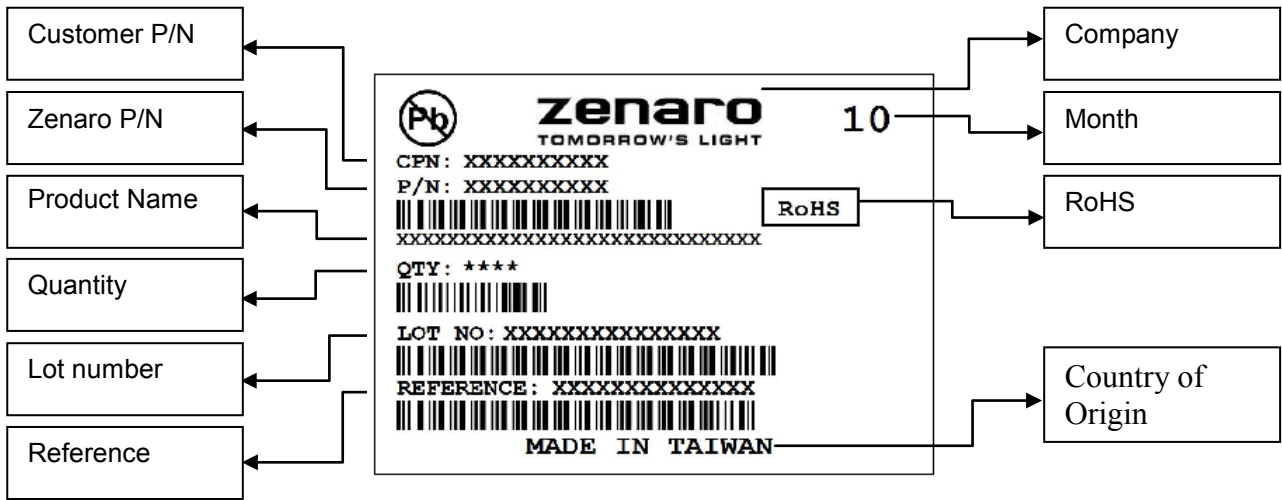
Package Dimension

Package	Unit: mm	Unit: kg
A	66	
B	66	0.09
C	75	
Inner Box	Unit: mm	Unit: kg
D	350	
E	140	1.16
F	165	
Outer Box	Unit: mm	Unit: kg
G	449	
H	370	3.98
I	185	

Packing Quantity

- 1 Luminaire / 1 Package
- 20 Packages / 1 Inner Box
- 3 Inner Box / 1 Outer Box

Label Explanation



Installation Instruction and Warning

- Do not open - no user serviceable parts inside.
- Turn off power before inspection, installation, or removal.
- Do not use in totally enclosed fixtures.
- Not for use where exposed to the weather.
- Not intended for use with emergency exit fixtures or emergency lights.



DATASHEET

ZENARO RETROFIT

Disclaimer

1. Information on this datasheet is provided "AS IS", without any warranty of any kind, either express or implied, including, but not limited to, the implied warranties of merchantability, fitness for a particular purpose, or no infringement.
2. The specification and information in Zenaro product datasheet may be changed without further notice. Zenaro reserves the right to make changes to any products to improve reliability, function and design.
3. When using the product, please observe the absolute maximum ratings and the instructions for use as outlined in this datasheet. Zenaro assumes no responsibility for any damage resulting from use of the product which does not comply with the absolute maximum ratings and the instructions included in this datasheet.
4. These specification datasheets include the information protected under law and copyright of Zenaro. Reproduction in any form is prohibited without the specific consent of Zenaro.



MSC Vertriebs GmbH

Tel. +49 7249 910-4575 · Fax +49 7249 910-3411 · lighting-zenaro@msc-ge.com

www.msc-ge.com