

## SL-PAR30 LED Lamp Series



### Features

- No UV or IR light radiation
- Provide 20°, 30° and 50° beam angles.
- Optimized heat fins with sleek design
- Operating temperature: -20°C – +40°C
- Long lifetime: 40000 hours (L70)
- E26 / E27 screw mount cap



**Coding of Part Number:**

SL – PAR30 / B / P12 / 20 / E30 / TD / 27 / HAC / EU / ZN  
 1 2 3 4 5 6 7 8 9 10

**1. Product Series**

SL-PAR30: PAR30 Series

**2. LED Type**

B: Everlight HP B LED

**3. Power Consumption**

P12: 12W (Triac Dimming)

P11: 11W (No Dimming)

**4. Beam Angle**

20: 20 Degree

30: 30 Degree

50: 50 Degree

**5. Correlated Color Temperature**

E50: ANSI C78 5000K

E30: ANSI C78 3000K

**6. Dimming Control**

ND: No Dimming

TD: Triac Dimming

**7. Lamp Base**

26: E26 Cap

27: E27 Cap

**8. Input Voltage**

LAC: 100 – 120VAC

(Optional for Triac dimmable products only)

HAC: 220 – 240VAC

(Optional for Triac dimmable products only)

UNI : Universal 100 – 240 VAC

**9. Package and Certification**

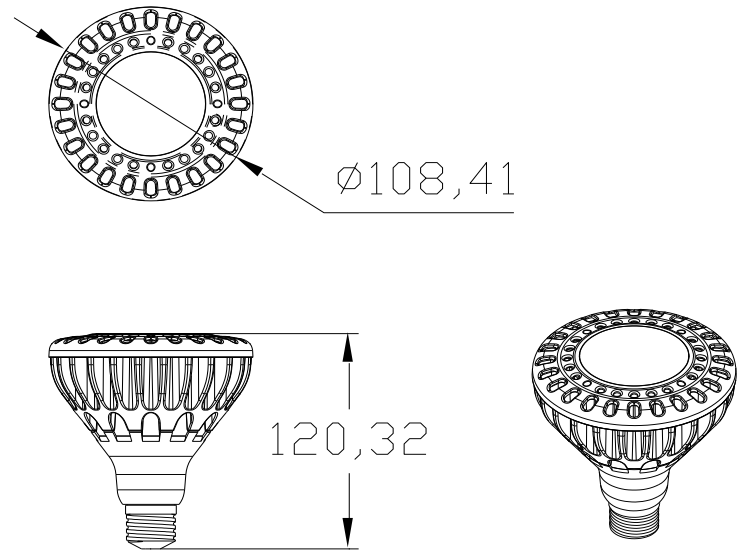
EU: Graphic Package. CE certified

US: Graphic Package. UL listed

**10. Brand**

ZN:Zenaro

## Product Dimensions



- Notes: 1. Dimensions are in millimeters  
2. Tolerances unless otherwise mentioned  $\pm 0.5\text{mm}$

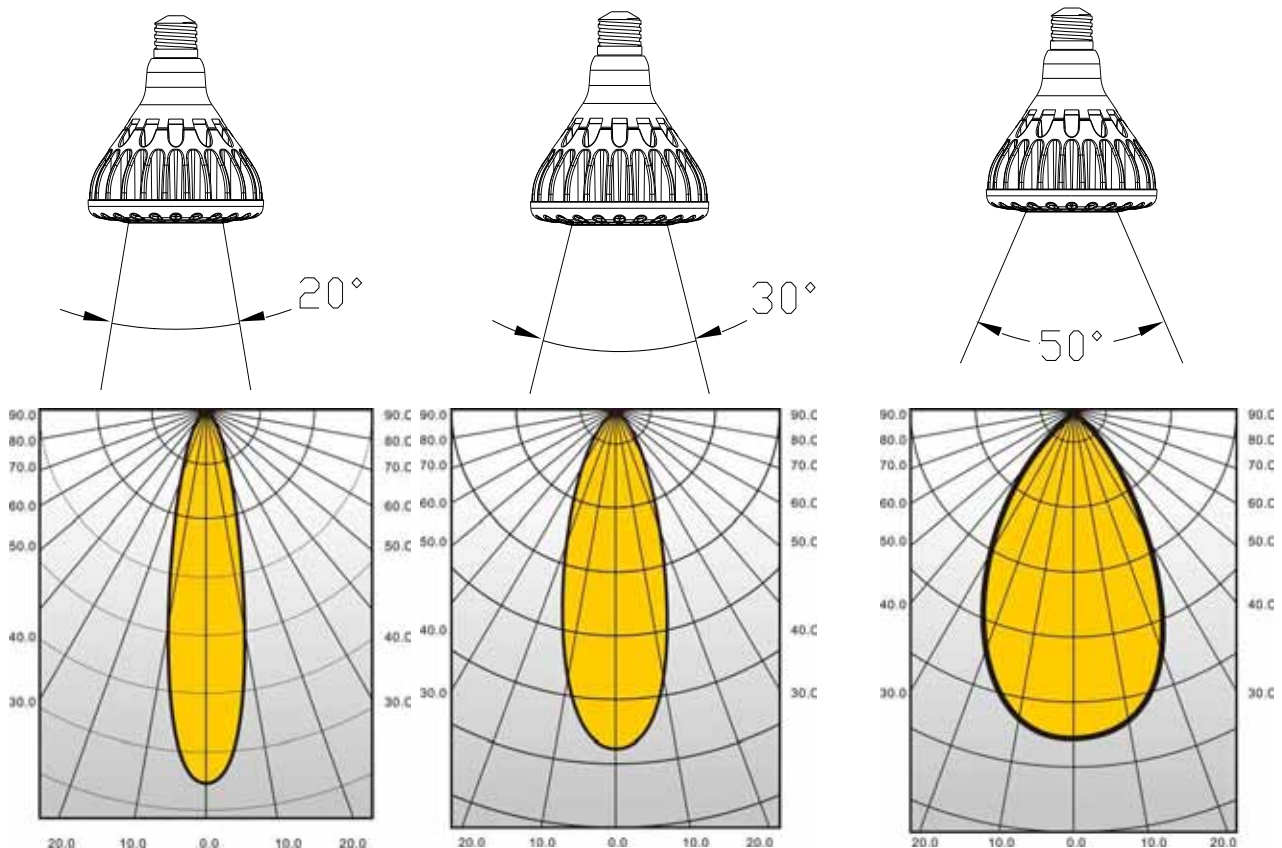
## Luminance and Technical Data

Product Name	SL-PAR30/B/P11/20/E30 /ND Series SL-PAR30/B/P12/20/E30 /TD Series	SL-PAR30/B/P11/30/E30 /ND Series SL-PAR30/B/P12/30/E30 /TD Series	SL-PAR30/B/P11/50/E30 /ND Series SL-PAR30/B/P12/50/E30 /TD Series
Product Family	Retrofit	Retrofit	Retrofit
Main Use	Office, commercial, residential and hospitality lighting	Office, commercial, residential and hospitality lighting	Office, commercial, residential and hospitality lighting
Input Voltage/ Frequency	<ul style="list-style-type: none"> <li>No Dimming: 100 – 240 VAC</li> <li>Two Options for Triac Dimming: 100 – 120 VAC Input 220 – 240 VAC Input</li> </ul>	<ul style="list-style-type: none"> <li>No Dimming: 100 – 240 VAC</li> <li>Two Options for Triac Dimming: 100 – 120 VAC Input 220 – 240 VAC Input</li> </ul>	<ul style="list-style-type: none"> <li>No Dimming: 100 – 240 VAC</li> <li>Two Options for Triac Dimming: 100 – 120 VAC Input 220 – 240 VAC Input</li> </ul>
Power Consumption	<ul style="list-style-type: none"> <li>Non Dimming: 11W</li> <li>Triac Dimming: 12W</li> </ul>	<ul style="list-style-type: none"> <li>Non Dimming: 11W</li> <li>Triac Dimming: 12W</li> </ul>	<ul style="list-style-type: none"> <li>Non Dimming: 11W</li> <li>Triac Dimming: 12W</li> </ul>
Lamp-Holder	E26 / E27 Screw Cap	E26 / E27 Screw Cap	E26 / E27 Screw Cap
Mechanical Dimensions	$\varnothing 108.4 \times 120.3\text{mm}$	$\varnothing 108.4 \times 120.3\text{mm}$	$\varnothing 108.4 \times 120.3\text{mm}$
Maximum Weight	410g	410g	410g
Light Color	Warm white / 3000K	Warm white / 3000K	Warm white / 3000K
Luminous Flux (Typ)	475lm	485lm	485lm
CBCP (cd)	1600cd	990cd	500cd
Beam Angle	20°	30°	50°
CRI	>80	>80	>80
Storage Temp	-30°C – 80°C	-30°C – 80°C	-30°C – 80°C

Product Name	SL-PAR30/B/P11/20/E50 /ND Series SL-PAR30/B/P12/20/E50 /TD Series	SL-PAR30/B/P11/30/E50 /ND Series SL-PAR30/B/P12/30/E50 /TD Series	SL-PAR30/B/P11/50/E50 /ND Series SL-PAR30/B/P12/50/E50 /TD Series
Product Family	Retrofit	Retrofit	Retrofit
Main Use	Office, commercial, residential and hospitality lighting	Office, commercial, residential and hospitality lighting	Office, commercial, residential and hospitality lighting
Input Voltage/ Frequency	<ul style="list-style-type: none"> <li>No Dimming: 100 – 240VAC</li> <li>Two Options for Triac Dimming: 100 – 120 VAC Input 220 – 240 VAC Input</li> </ul>	<ul style="list-style-type: none"> <li>No Dimming: 100 – 240VAC</li> <li>Two Options for Triac Dimming: 100 – 120 VAC Input 220 – 240 VAC Input</li> </ul>	<ul style="list-style-type: none"> <li>No Dimming: 100 – 240VAC</li> <li>Two Options for Triac Dimming: 100 – 120 VAC Input 220 – 240 VAC Input</li> </ul>
Power Consumption	<ul style="list-style-type: none"> <li>Non Dimming: 11W</li> <li>Triac Dimming: 12W</li> </ul>	<ul style="list-style-type: none"> <li>Non Dimming: 11W</li> <li>Triac Dimming: 12W</li> </ul>	<ul style="list-style-type: none"> <li>Non Dimming: 11W</li> <li>Triac Dimming: 12W</li> </ul>
Lamp-Holder	E26 / E27 Screw Cap	E26 / E27 Screw Cap	E26 / E27 Screw Cap
Mechanical Dimensions	Ø108.4 x 120.3mm	Ø108.4 x 120.3mm	Ø108.4 x 120.3mm
Maximum Weight	410g	410g	410g
Light Color	Daylight white / 5000K	Daylight white / 5000K	Daylight white / 5000K
Luminous Flux (Typ)	650lm	660lm	665lm
CBCP (cd)	2400cd	1600cd	800cd
Beam Angle	20°	30°	50°
CRI	>80	>80	>80
Storage Temp	-30°C – 80°C	-30°C – 80°C	-30°C – 80°C

Luminous Flux measurement tolerance: ±10%

### Light Intensity Distribution



### Installation Instructions and Warnings

- Do not open - no user serviceable parts inside.
- Turn off power before inspection, installation, or removal.
- Do not use in totally enclosed fixtures.
- Please refer to the suggested dimmers for dimmable models.
- Not intended for use with emergency exit fixtures or emergency lights.

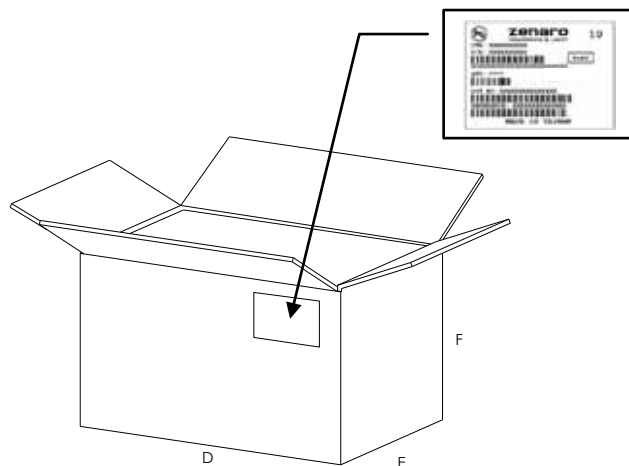
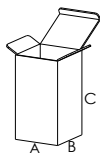
### Package Information

#### Package Dimension

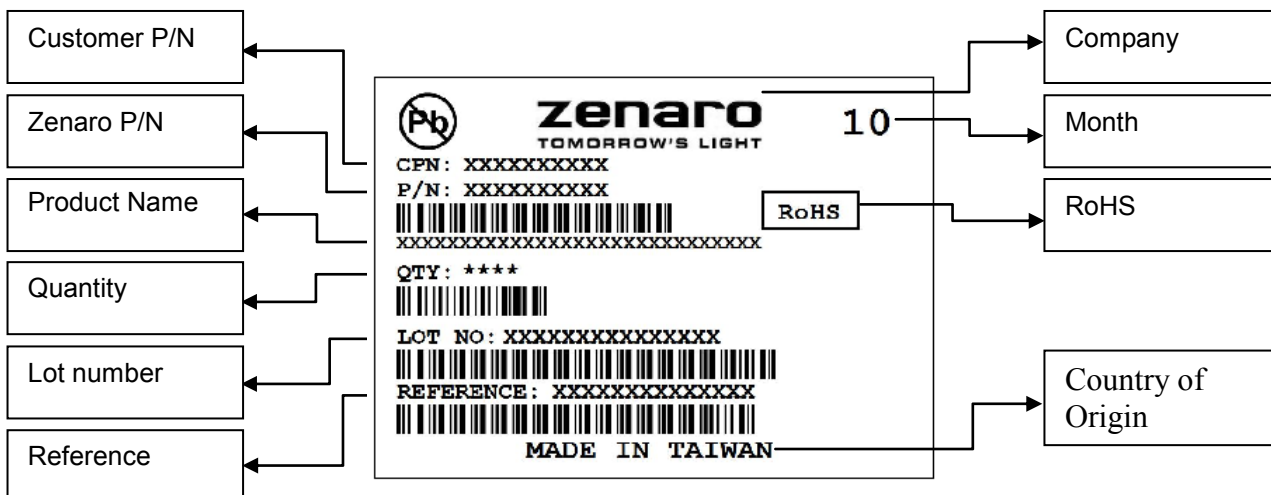
Package	Unit: mm	Unit: kg
A	127	
B	127	0.5
C	155	
Outer Box		
D	570	
E	235	5.46
F	165	

#### Packing Quantity

- 1 Luminaire / 1 Package
- 10 Packages / 1 Outer Box



### Label Explanation



## Supported Dimmer List

#	Ctl. Type	Manufacturer	Model	Volt / Freq (V/Hz)
1	Leading	Jung	266GDE	230/50
2	Leading	Merten		230/50
3	Leading	Clipsal	32E450L	230/50
4	Leading	Busch	2200-UJ	230/50
5	Leading	Everflourish	EF700DA	230/50
6	Leading	Niko		230/50
7	Leading	Busch	2250U	230/50
8	Leading	Schneider		230/50
9	Leading	松本电工 (SOBEN)		230/50
10	Leading	OPUS	852.39	230/50
11	Leading	KOSLO		230/50
12	Trailing	Busch	6513U	230/50
13	Trailing	SIEMENS	5TC8-284	230/50
14	Trailing	Vadsbo	TD350	230/50
15	Trailing	Clipsal	32E450T	230/50
16	Leading	Lutron	S-600	120/60
17	Leading	Lutron	Q-600P	120/60
18	Leading	Lutron	AY-600P	120/60
19	Leading	Lutron	DV-600P	120/60
20	Leading	Lutron	LG-600PH	120/60
21	Leading	Lutron	TT-300NLH	120/60
22	Leading	Lutron	DNG-600PH	120/60
23	Leading	Lutron	S-600PEH	120/60
24	Leading	Lutron	GL-600P	120/60
25	Leading	Leviton	L00	120/60
26	Leading	Leviton	RTD-01-10	120/60



## DATASHEET

### ZENARO RETROFIT

#### **Disclaimer**

1. Information on this datasheet is provided "AS IS", without any warranty of any kind, either express or implied, including, but not limited to, the implied warranties of merchantability, fitness for a particular purpose, or no infringement.
2. The specification and information in Zenaro product datasheet may be changed without further notice. Zenaro reserves the right to make changes to any products to improve reliability, function and design.
3. When using the product, please observe the absolute maximum ratings and the instructions for use as outlined in this datasheet. Zenaro assumes no responsibility for any damage resulting from use of the product which does not comply with the absolute maximum ratings and the instructions included in this datasheet.
4. These specification datasheets include the information protected under law and copyright of Zenaro. Reproduction in any form is prohibited without the specific consent of Zenaro.



**MSC Vertriebs GmbH**

**Tel. +49 7249 910-4575 · Fax +49 7249 910-3411 · [lighting-zenaro@msc-ge.com](mailto:lighting-zenaro@msc-ge.com)**

**[www.msc-ge.com](http://www.msc-ge.com)**